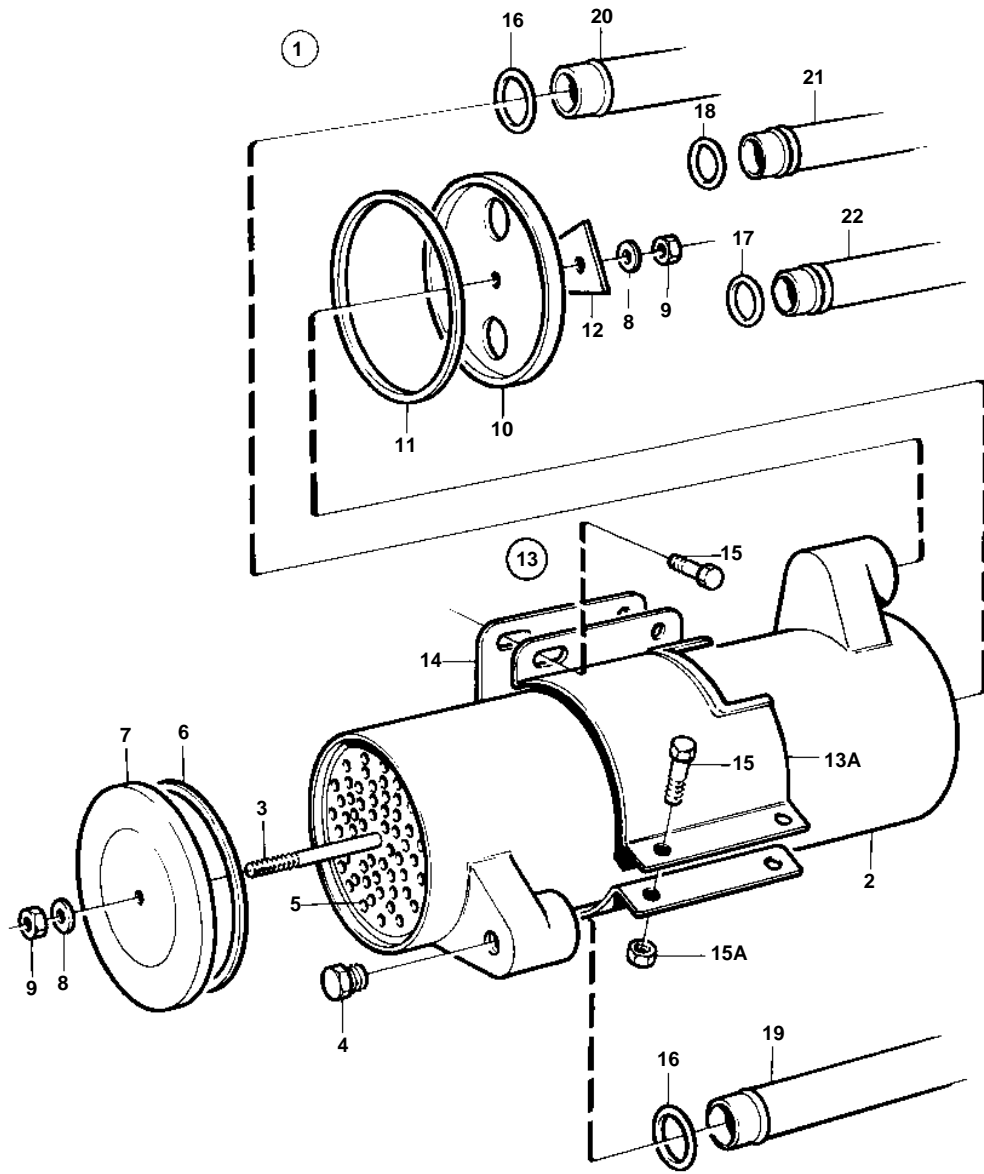


2002,2002B,2002AG,2002BG,2003,2003B,2003AG,2003BG



9207

2002,2002B,2002AG,2002BG,2003,2003B,2003AG,2003BG

REF	PART NO.	QTY	DESCRIPTION	NOTES
1	840741	1	Heat exchanger	SN-2300032619. REPLACED BY HEAT EXCHANGER 859360 AND INSTALLATION KIT 859387
	859360	1	Heat exchanger	SN2300032620-
2		1	· HOUSING	
3	829991	1	· Rod	
4	191026	1	· Plug	
5		1	· INSERT	
6	829972	1	· Gasket	
7	829988	1	· End plate	
8	941906	2	· Spring washer	
9	963105	2	· Nut	
10	840745	1	· End plate	
11	829989	1	· Gasket	
12	840746	1	· Cap	
13	859387	1	Mounting kit	
13A		1	· BRACKET	
14		1	· BRACKET	
15	946173	4	· Flange screw	
15A	968862	2	· Nut	(945408)
16	418411	2	Sealing ring	
17	829714	1	Seal	
18	829714	1	Seal	
19	840729	1	Coolant pipe	EXPANSION TANK-HEAT EXCHANGER-CIRCULATION PUMP
20	840731	1	Coolant pipe	THERMOSTAT HOUSING-HEAT EXCHANGER
21	840735	1	Coolant pipe	2002,2002B. HEAT EXCHANGER-EXHAUST BEND
				2002AG,2002BG
	840736	1	Coolant pipe	2003,2003B. HEAT EXCHANGER-EXHAUST BEND
				2003AG,2003BG
22	840724	1	Coolant pipe	SEA WATER PUMP-HEAT EXCHANGER.
	840907	1	Hose connection	WHEN VACUUM VALVE IS INSTALLED.